

Series PN directly operated solenoid valves

3/2-way Normally Closed (NC). The solenoid valves can be mounted on a single base (with M5 ports) as well as on manifolds (with M5 ports or cartridge \varnothing 3 and 4).

2

CONTROL



» Compact design suitable for use in reduced mounting space

Note: all Series PN solenoid valves are basically in DC.
To operate in AC at the same target voltage, the valves require the connector Mod. 125-900.

Series PN directly operated solenoid valves are available as 3/2-way NC. They are equipped with a manual override which makes the plants setting easier and they can be mounted on single bases or on manifolds.

GENERAL DATA

TECHNICAL FEATURES

| | |
|-----------------------|---|
| Function | 3/2 NC |
| Operation | direct acting poppet type |
| Pneumatic connections | on subbase by means of M3 screws |
| Nominal diameter | 0.8 mm |
| Nominal flow | 12 NI/min (air @ 6 bar Δ P 1 bar) |
| Kv (l/min) | 0.19 |
| Operating pressure | 0 ÷ 10 bar |
| Operating temperature | 0 ÷ +50°C |
| Media | filtered air, class 5.4.4 according to ISO 8573-1 (max oil viscosity 32 cSt), inert gas |
| Response time | ON <10 msec - OFF <15 msec |
| Installation | in any position |

MATERIALS IN CONTACT WITH THE MEDIUM

| | |
|----------------|--------------------------|
| Body | PBT technopolymer |
| Seals | PU, NBR, (FKM on demand) |
| Internal parts | stainless steel |

ELECTRICAL FEATURES

| | |
|-----------------------|---|
| Voltage | 24 ... 205 V DC |
| Voltage tolerance | \pm 10% |
| Power consumption | 2 W - 1 W (24 V DC only) |
| Duty cycle | ED 100% |
| Electrical connection | DIN 43650 connector, (C Shaped), 9.4 mm |
| Protection class | IP65 with connector |

Special versions available on demand

CODING EXAMPLE

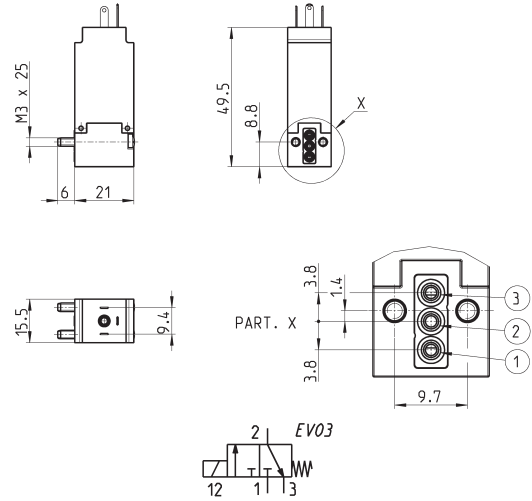
| | | | | | | | | | | | |
|----|---|----|---|---|---|---|---|---|---|---|--|
| PN | 0 | 00 | - | 3 | 0 | 1 | - | P | 5 | 3 | |
|----|---|----|---|---|---|---|---|---|---|---|--|

| | |
|-----------|--|
| PN | SERIES |
| 0 | BODY DESIGN: 0 = single sub-base 1 = single manifold 2 = double sided manifold |
| 00 | NUMBER OF POSITIONS: 00 = interface 01 = single base (M5 only) 02 + 99 = manifold number of positions |
| 3 | NUMBER OF WAYS - FUNCTIONS: 0 = manifold or single base 3 = 3-way NC |
| 0 | VALVE PORTS: 0 = interface (for single valve only) MANIFOLD PORTS (for Series W, P and PN): 2 = M5 side port 3 = \varnothing 3 tube side port 4 = \varnothing 4 tube side port 6 = M5 rear ports 7 = \varnothing 3 tube rear ports 8 = \varnothing 4 tube rear ports |
| 1 | NOMINAL DIAMETER - MAX PRESSURE 1 = \varnothing 0,8 (1W) 10 bar (NC) 24V only |
| P | MATERIALS: P = PBT body, PU poppet seal |
| 5 | ELECTRICAL CONNECTION: 5 = 3 faston pitch 9,4 |
| 3 | SOLENOID VOLTAGE: 3 = 24V DC 4 = 48V DC 6 = 110V DC 7 = 205V DC |
| | FIXING: = standard for the mounting on plastic interfaces M = with screw for the mounting on metal interface (on demand) |



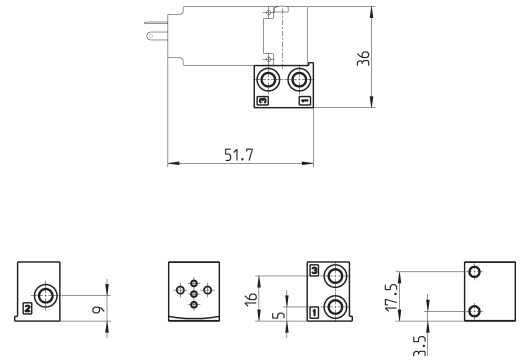
3/2-way NC solenoid valve

Supplied with:
1x interface seal
2x screws



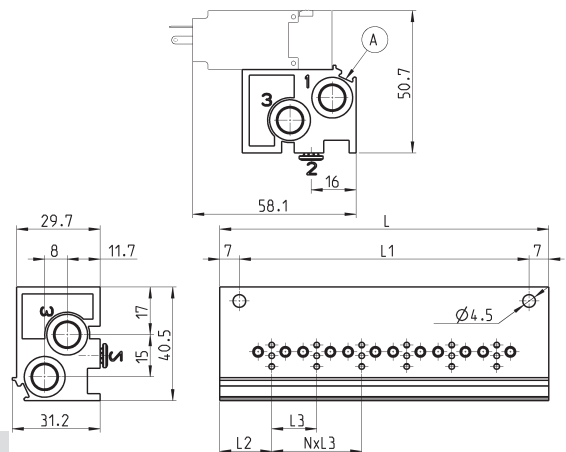
| Mod. | Orifice Ø (mm) | Qn (Nl/min) | Pressure min-max (bar) |
|---------------|----------------|-------------|------------------------|
| PN000-301-P53 | 0.8 | 12 | 0 + 10 |

Single sub-base



| Mod. |
|---------|
| P001-02 |

Single manifold with rear outlets



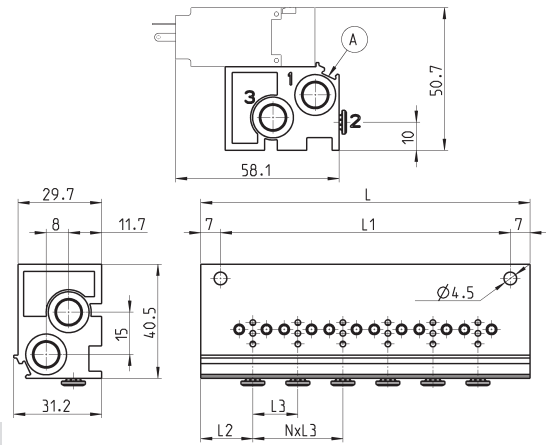
| Mod. | Nr valves | L | L1 | L2 | L3 | 1 (P) | 3 (R) |
|---------|-----------|-----|-----|------|----|-------|-------|
| P102-0* | 2 | 53 | 39 | 18,5 | 16 | G1/8 | G1/8 |
| P103-0* | 3 | 69 | 55 | 18,5 | 16 | G1/8 | G1/8 |
| P104-0* | 4 | 85 | 71 | 18,5 | 16 | G1/8 | G1/8 |
| P105-0* | 5 | 101 | 87 | 18,5 | 16 | G1/8 | G1/8 |
| P106-0* | 6 | 117 | 103 | 18,5 | 16 | G1/8 | G1/8 |

* = see the type of PORTS in the CODING EXAMPLE TABLE.

A = groove for electric connection identification

Single manifold with front outlets

This manifold is arranged to be fixed through DIN 46277/3 guide together with the accessory PCF-E520.

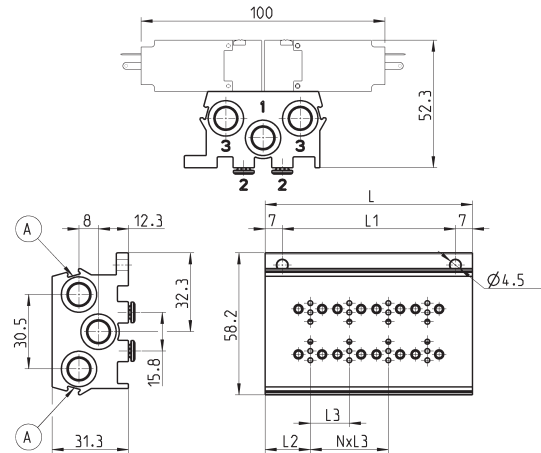


| Mod. | Nr valves | L | L1 | L2 | L3 | 1 (P) | 3 (R) |
|---------|-----------|-----|-----|------|----|-------|-------|
| P102-0* | 2 | 53 | 39 | 18,5 | 16 | G1/8 | G1/8 |
| P103-0* | 3 | 69 | 55 | 18,5 | 16 | G1/8 | G1/8 |
| P104-0* | 4 | 85 | 71 | 18,5 | 16 | G1/8 | G1/8 |
| P105-0* | 5 | 101 | 87 | 18,5 | 16 | G1/8 | G1/8 |
| P106-0* | 6 | 117 | 103 | 18,5 | 16 | G1/8 | G1/8 |

* = see the type of PORTS in the CODING EXAMPLE TABLE.

A = groove for electric connection identification

Double sided manifold with rear outlets



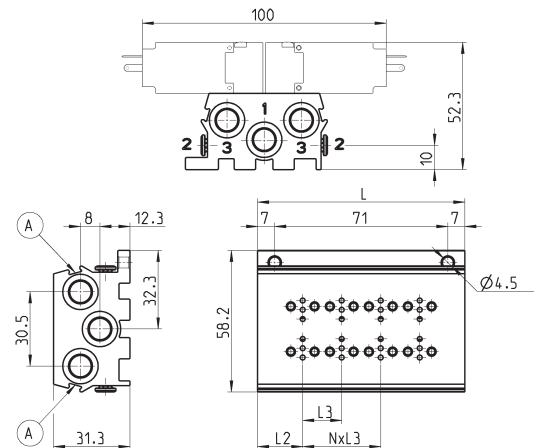
| Mod. | Nr valves | L | L1 | L2 | L3 | 1 (P) | 3 (R) |
|---------|-----------|-----|-----|------|----|-------|-------|
| P204-0* | 4 | 53 | 39 | 18,5 | 16 | G1/8 | G1/8 |
| P206-0* | 6 | 69 | 55 | 18,5 | 16 | G1/8 | G1/8 |
| P208-0* | 8 | 85 | 71 | 18,5 | 16 | G1/8 | G1/8 |
| P210-0* | 10 | 101 | 87 | 18,5 | 16 | G1/8 | G1/8 |
| P212-0* | 12 | 117 | 103 | 18,5 | 16 | G1/8 | G1/8 |

* = see the type of PORTS in the CODING EXAMPLE TABLE.

A = groove for electric connection identification

Double sided manifold with front outlets

This manifold is arranged to be fixed through DIN 46277/3 guide together with the accessory PCF-E520.



| Mod. | Nr valves | L | L1 | L2 | L3 | 1 (P) | 3 (R) |
|---------|-----------|-----|-----|------|----|-------|-------|
| P204-0* | 4 | 53 | 39 | 18,5 | 16 | G1/8 | G1/8 |
| P206-0* | 6 | 69 | 55 | 18,5 | 16 | G1/8 | G1/8 |
| P208-0* | 8 | 85 | 71 | 18,5 | 16 | G1/8 | G1/8 |
| P210-0* | 10 | 101 | 87 | 18,5 | 16 | G1/8 | G1/8 |
| P212-0* | 12 | 117 | 103 | 18,5 | 16 | G1/8 | G1/8 |

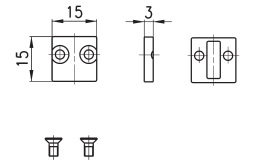
* = see the type of PORTS in the CODING EXAMPLE TABLE.

A = groove for electric connection identification

Excluder tap

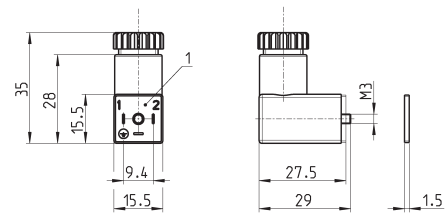


Supplied with:
 1x excluder tap
 1x interface seal
 2x screws



Mod.
P000-TP

Connector Mod. 125-... DIN 43650 pitch 9.4 mm

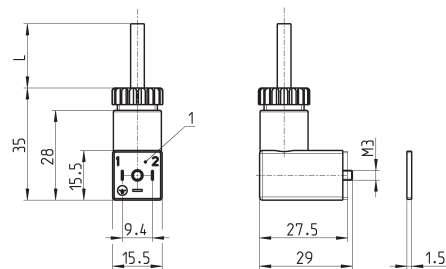


| Mod. | description | colour | working voltage | cable holding | tightening torque |
|----------------|--------------------------------|-------------|-----------------|---------------|-------------------|
| 125-601 | connector, diode + Led | transparent | 10/50 V DC | PG7 | 0.3 Nm |
| 125-701 | connector, varistor + Led | transparent | 24 V AC/DC | PG7 | 0.3 Nm |
| 125-800 | connector, without electronics | black | - | PG7 | 0.3 Nm |

1 = 90° adjustable connector

Connector Mod. 125-... DIN 43650 pitch 9.4 mm with cable

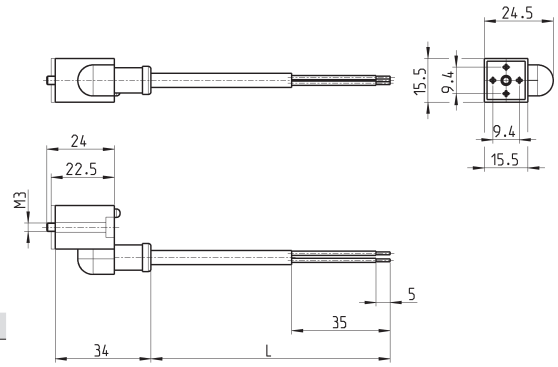
The internal rectifier circuit of the connector
 Mod. 125-900 allows to use solenoid valves with
 different AC voltage, even if the voltage indicated on
 the solenoid valve is DC.



| Mod. | description | colour | working voltage | cable length [L] | cable holding | tightening torque |
|------------------|--|-------------|-------------------|--------------------|---------------|-------------------|
| 125-501-2 | moulded cable with diode + Led | black | 10/50 V DC | 2000 mm | - | 0.3 Nm |
| 125-550-1 | moulded cable, without electronics | black | - | 1000 mm | - | 0.3 Nm |
| 125-601-2 | pre-wired cable, diode + Led | transparent | 10/50 V DC | 2000 mm | PG7 | 0.3 Nm |
| 125-571-3 | moulded cable, varistor + Led | black | 24 V AC/DC | 3000 mm | - | 0.3 Nm |
| 125-900 | pre-wired cable with voltage rectifier | black | 6 V - 110 V AC/DC | 2000 mm | PG7 | 0.3 Nm |

1 = 90° adjustable connector

In-line connectors with cable

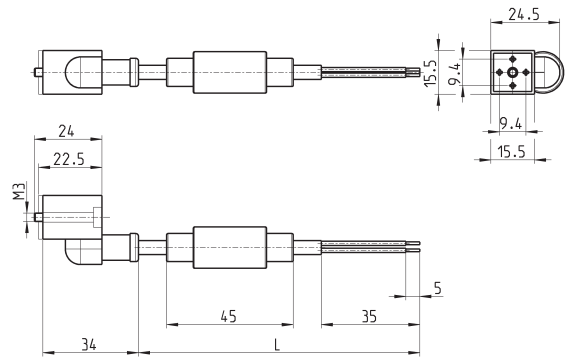


| Mod. | description | colour | working voltage | cable length [L] | cable holding | tightening torque |
|------------------|--|--------|-----------------|--------------------|---------------|-------------------|
| 125-503-2 | in-line moulded cable, with diode + Led | black | 24 V DC | 2000 mm | - | 0.3 Nm |
| 125-503-5 | in-line moulded cable, with diode + Led | black | 24 V DC | 5000 mm | - | 0.3 Nm |
| 125-553-2 | in-line moulded cable, without electronics | black | - | 2000 mm | - | 0.3 Nm |
| 125-553-5 | in-line moulded cable, without electronics | black | - | 5000 mm | - | 0.3 Nm |

2

CONTROL

In-line connectors with bridge rectifier



| Mod. | description | colour | working voltage | cable length [L] | cable holding | tightening torque |
|------------------|--|--------|-------------------|--------------------|---------------|-------------------|
| 125-903-2 | in-line moulded cable with voltage rectifier | black | 6 V - 230 V AC/DC | 2000 mm | - | 0.3 Nm |
| 125-903-5 | in-line moulded cable with voltage rectifier | black | 6 V - 230 V AC/DC | 5000 mm | - | 0.3 Nm |